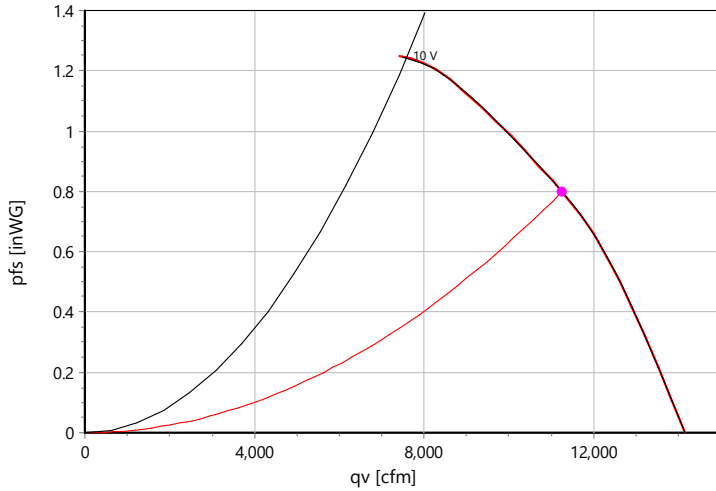




Axial Fan
Type: **AKFG 710 K.6IF A6 Gen3**
Art.-No.: E66-71664 (White Shroud)
E66-71667 (Black Shroud)



Curve:



p: 1.21 kg/m³; Data @ 400 V

Operating Point:

q _v	11256	cfm
p _{fs}	0.8	inWG
p _{fd}	0.5	inWG
η _{ed,fs}	36	%
η _{ed,tot}	56	%
P _{ed}	2.96	kW
I	4.4	A
n	1325	r/min
L _{WA A,IN}	85	dB(A)
U _c	10	V
v	43.9	ft/s
SFP	557	Ws/m ³
FEI	1.1	
t _{R,OP}	60	°C

ErP-Data:

(EU) Nr. 327/2011	(Lot11)	
q _v	8445	cfm
p _{fs}	1.13	inWG
η _{ed,fs}	43.2	%
P _{ed}	2.74	kW
n	1280	r/min
N	47	
v	32.9	ft/s

Set point:

q _v	11258	cfm
p _{fs}	0.799	inWG

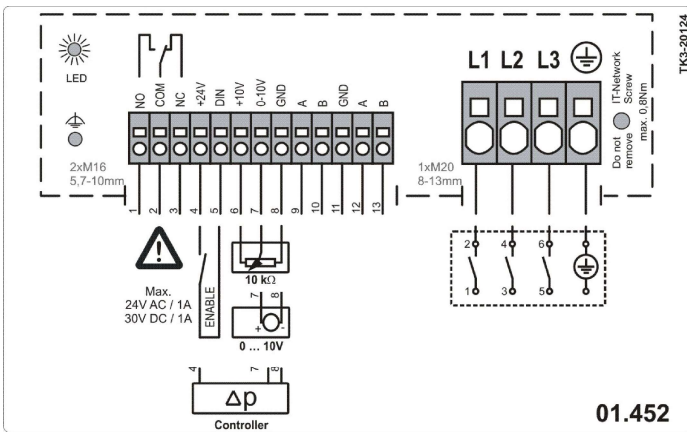
Nominal Data:

U [V]	f [Hz]	Data @ [V]	P _{ed} [kW]	I _N [A]	n _N [r/min]	t _R [°C]	k ₁₀ [m ² /h]	Eff.-Rating	IP	m [kg]
3~380-480	50/60	400	2.82	4.35	1320	60	-	IE5	IP 54	40

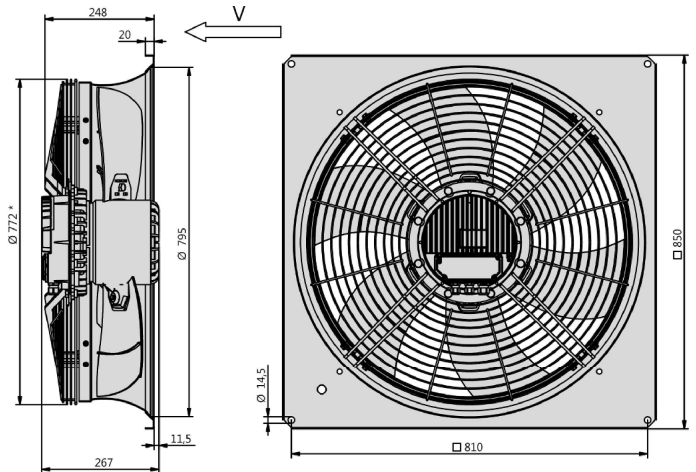
Sound Data:

Frequency	Σ	125Hz	250Hz	500Hz	1kHz	2kHz	4kHz	8kHz	Distances	1 m	4 m
L _{WA(A,in)} [dB(A)]	85	65	72	78	80	80	75	65	L _{pA(A,in)} [dB(A)]	78	67

Wiring Diagram:



Drawing:



* Maß über Hauptstreben gemessen / dimension measured over main struts

Data @ 460V: 2,82 kW; 3,78 A; 1320 1/min